

MK1 SERIES

TYPICAL TEMPERATURE SENSITIVITY CHARACTERISTICS

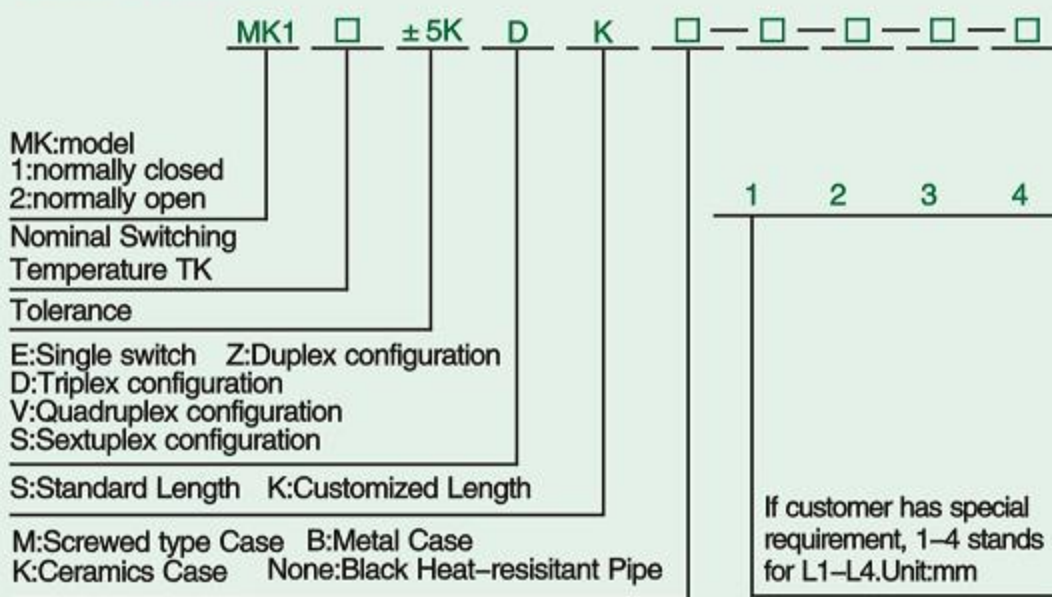
A special feature of the MK1 series is that the switch is a temperature-sensitive switch. In normal operation and loads up to nominal current, self-heating of the switch is extremely low. Therefore the lowering of the switching temperature caused by self-heating will be within the Nominal Switching Temperature tolerance.

ADVANTAGE

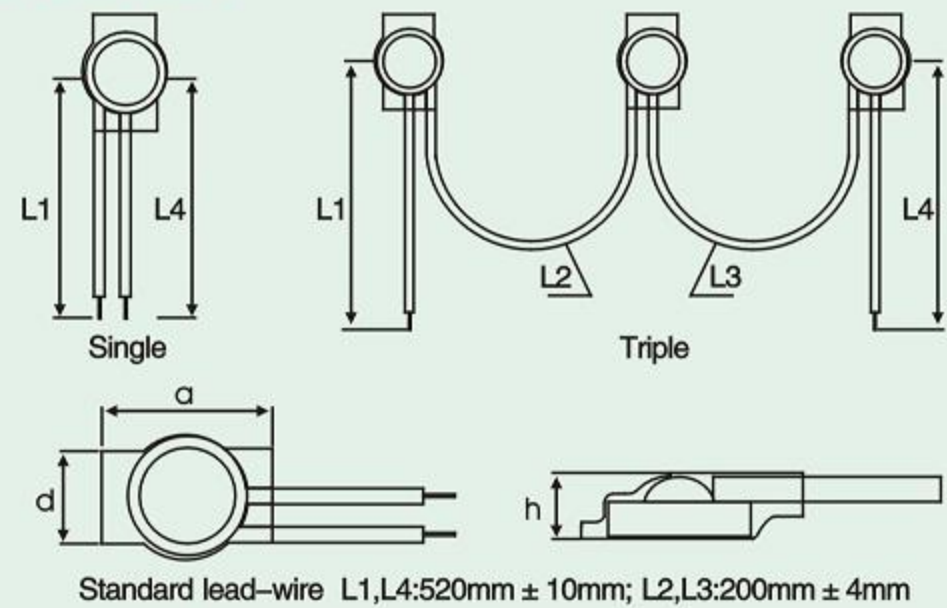
- ◎ **Compact & Pressure Stable:** Ideal for installation in limited space, very suitable for mounting into and onto windings
- ◎ **Safe, Reliable & Durable:** Constant contact pressure over the whole temperature range; Very fast switching, therefore short arcing influence on the contacts
- ◎ **Temperature-sensitive:** Reproducible Switching Temperature induced by mechanical unstressed and electrically unloaded bimetal disc
- ◎ **Fast:** Excellent thermal coupling induced by a small-scaled, low-weighted switching device
- ◎ **Flexible:** Extremely large assortment of lead-wires and solid wires available for connection



CODE SYSTEM



STRUCTURE



SPECIFICATION

| | Normally closed | Normally open |
|---|---|---|
| Nominal Switching Temperature, in 5K-steps (Tk) | 60-200°C | 60-200°C |
| Tolerance - Standard | ±5K | ±5K |
| Reset temperature range | 30K ± 15K | 30K ± 15K |
| Max. operating voltage | 500VAC 60VDC | 500VAC 60VDC |
| Working current (AC: COS φ = 1.0) | 250VAC 500VAC 2.50A 0.75A | 250VAC 500VAC 2.50A 0.75A |
| Working current (AC: COS φ = 0.6) | 250VAC 500VAC 1.60A 0.5A | 250VAC 500VAC 1.60A 0.5A |
| Current/Switching cycles | 2.5A 5A 10000 2000 | 2.5A 10000 |
| Cycles at 250VAC/5.0A | 2000 | ○ |
| Contact resistance | < 50mΩ | ○ |
| Shock resistance 10-60HZ | 100m/s ² | 100m/s ² |
| Case pressure stability | 450N(45kg) | 450N(45kg) |
| Insulation voltage | 2KV | 2KV |
| Insulation sleeve length "a" | > 16mm | > 16mm |
| Diameter "d" | < 9.7mm | < 9.7mm |
| Height "h" | < 4.8mm | < 4.8mm |
| Sectional area of outgoing line | 0.35mm ² | 0.35mm ² |
| Outgoing line length - Standard | L ₁ =L ₄ =520 ± 10mm L ₂ =L ₃ =200 ± 4mm | L ₁ =L ₄ =520 ± 10mm L ₂ =L ₃ =200 ± 4mm |

Company add: 2nd floor NO.4 building, Qinghuafang, Xingye road, Panyu, Guangzhou, China

Tel: 86 20-34826856 Fax: 86 20-62351066 Ext. 802

E-mail: webmaster@thermtector.com Website: www.thermalprotector.cn www.safty.com