

Motor Overheat Protector GRB Series



GRB Series

General information on motor overheat protector

GRB overheat protector is designed as a matching for PTC thermistor of MZ6 . When the temperature of the motor coil(or some point on the coil) is over heat, PTC resistance rise. The signal transmits to GRB overheat protector, making a transition in the protector relay. Then the main current cut off to protector the motor.

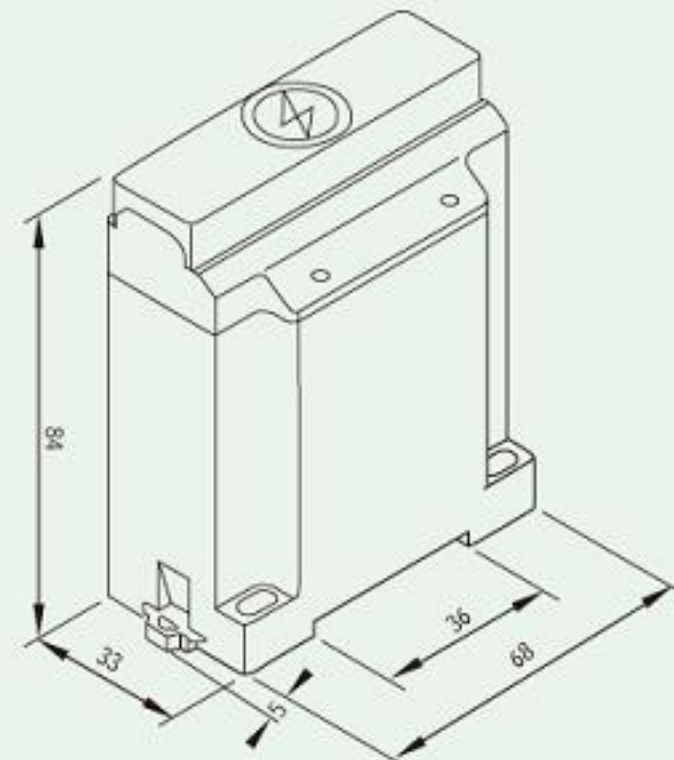
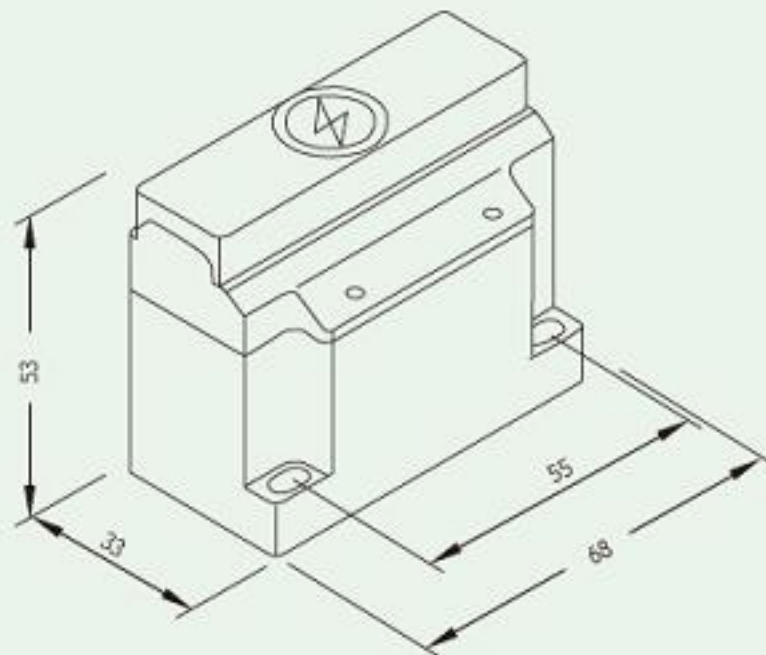
Key Benefits:

- Advanced technology
- Safety and steady
- High reliability
- Energy Conservation(self consumption power is 0.8VA)
- The shut down temperature can be precisely worked out.

Technical Parameter

working voltage	24V(AC/DC)	110V AC	220V AC
voltage tolerance		± 20%	
frequency		50~60Hz	
consumption power		<0.8VA	
ambient temperature		-30~70° C	
contact rate		7A	
action resistance	single		triple
	1KΩ × (1 ± 10%)		3KΩ × (1 ± 10%)
reset resistance	single		triple
	500~600Ω		1500~1800Ω
No. of connecting PTC thermistors		1~9pcs	
weight		0.20Kg	

Structure



Numbering System

